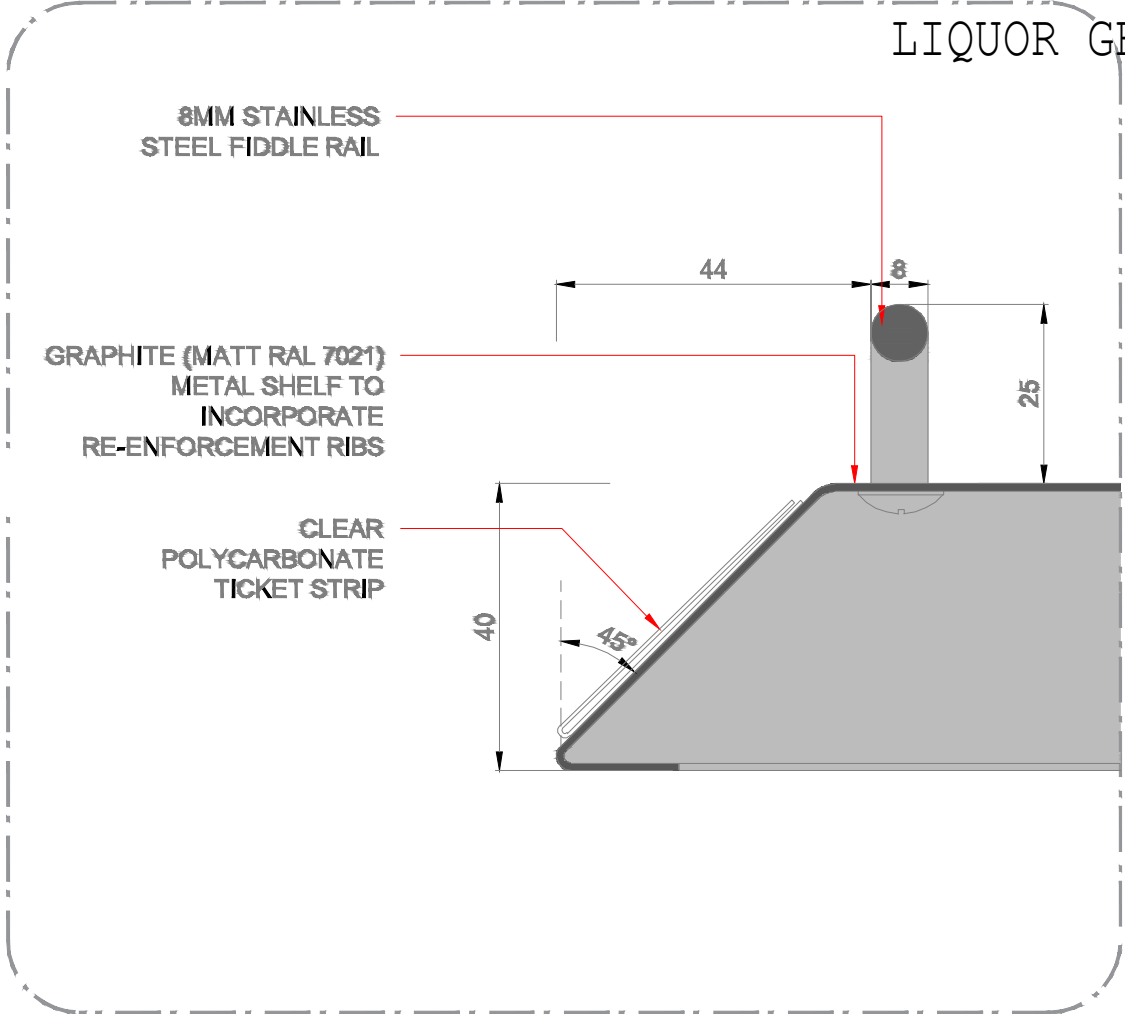


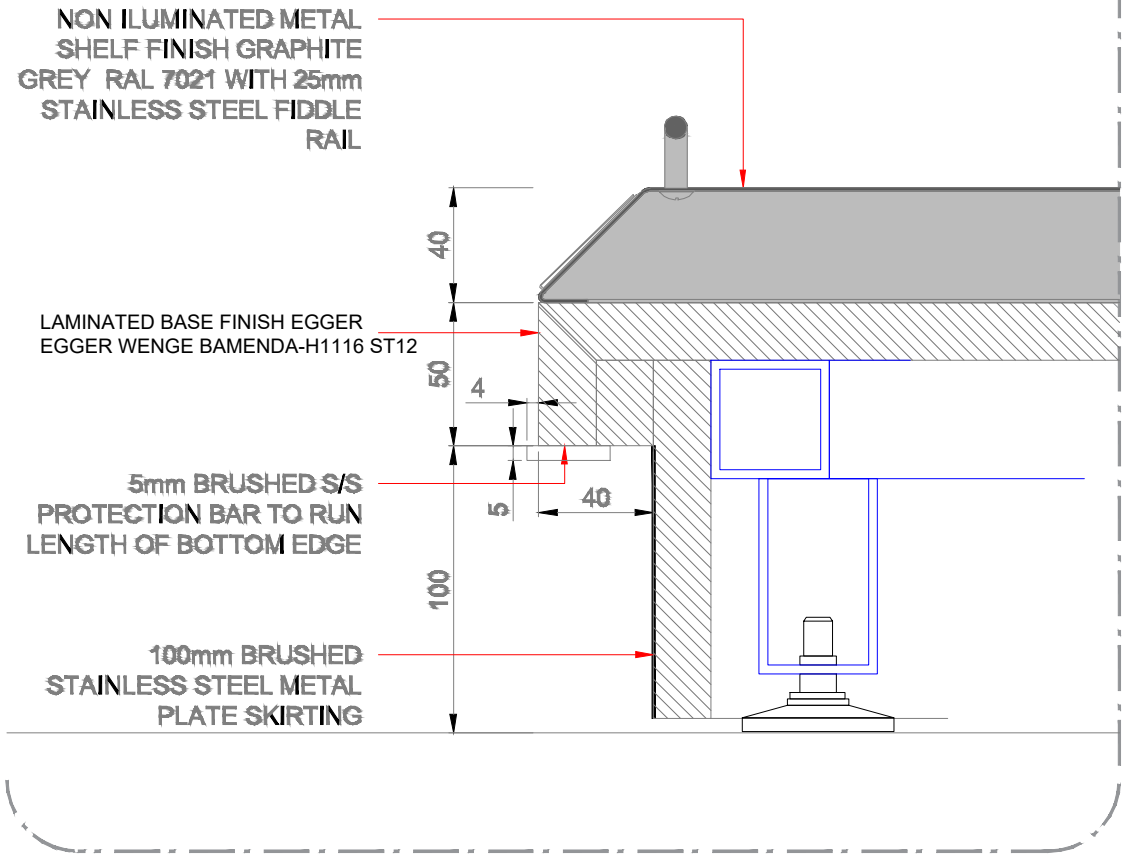
L-L2

L-L2 (2UNIT)

LIQUOR GENERIC GONDOLA 4-BAY LOW COST



6 SHELF DETAIL
scale: 1/2



7 BASE DETAIL
scale: 1/5

LIST OF MATERIAL & CODE	
ITEM NUMBER	

	5	10	Client		Drawn By	OBJ	Drawing Number	
	4	9			Checked	---	WS-DS-SD-DF-012	
	3	8	Project		Date	23/12/2021	Sheets No	Location No
	2	DSD-V1-RD- 23/12/2021	7		Scale	--		
	1	DSD-V1-RD- 12/10/2021	6		Title	L-L2 (2UNIT)	Approved	Samir Bader
DOCUMENT CODE:	WS-DS-SD-01	N°	Date	Last revision titles				

ISSUE DATE:	JUNE 2016
REVISION DATE:	MAY 2021

